



Mi-T-M[®] CORPORATION

8650 Enterprise Drive, Peosta IA 52068

563-556-7484 / Fax 563-556-1235

www.mitm.com

PARTS LIST FOR ***CW-2504-4MH0/4MV0*** (AFTER SERIAL #317278)

Engine Oil Grade:

Honda:

SAE10W-30

Vanguard:

Above 40°F=SAE 30

Below 40°F=SAE10W-30

Engine Oil Capacity:

Honda:

37.2 oz.

Vanguard:

40.2 oz.

Pump Oil Grade:

Mi-T-M Pump Oil #AW-4085-0016

Pump Oil Capacity:

14.0 oz.

Nozzle Size:

4.5

This Parts Listing has been compiled for your benefit. You can be assured your Mi-T-M Cold Water Pressure Washer was constructed and designed with quality and performance in mind using over 25 years experience in the pressure washer business. Each component has been rigorously tested to insure the highest level of acceptance.

The contents of this Parts Listing are based on the latest product information available at the time of publication. Mi-T-M reserves the right to make changes in price, color, materials, equipment, specifications or models at any time without notice.

WARNING

THIS IS A PROFESSIONAL HIGH PRESSURE, COLD WATER PRESSURE WASHER. CAUTION SHOULD BE OBSERVED WHEN USING OR REPAIRING THIS UNIT! READ AND FOLLOW THE SAFETY WARNINGS LISTED BELOW BEFORE ATTEMPTING ANY REPAIRS ON THIS PRESSURE WASHER!

SAFETY WARNINGS

1. NEVER alter or modify the equipment. Be sure any accessory items and system components being used will withstand the pressure developed. Use only genuine Mi-T-M parts for repair of your pressure washer. Failure to do so can cause hazardous operating conditions and will VOID warranty.
2. NEVER make adjustments on machinery while the unit is connected to the power source. Turning over the machinery by hand during adjustment or cleaning might start the machinery, causing serious injury to the operator.
3. Know how to stop and bleed pressures quickly. Be thoroughly familiar with controls.
4. Before servicing the unit, turn unit off, relieve the water pressure and allow the unit to cool down. Do not make repairs while the unit is running. Service in a clean, dry, flat area.
5. After testing the machine, DO NOT leave the pressurized unit unattended. Shut off the unit and release trapped pressure before leaving.

Table of Contents

SPECIFICATIONS.....3

FRAME ASSEMBLY FOR CW-2504-4MH0/4MV04

PUMP ASSEMBLY (3-0121)6

UNLOADER ASSEMBLY (8-0032)8

GUN ASSEMBLY (16-0001)10

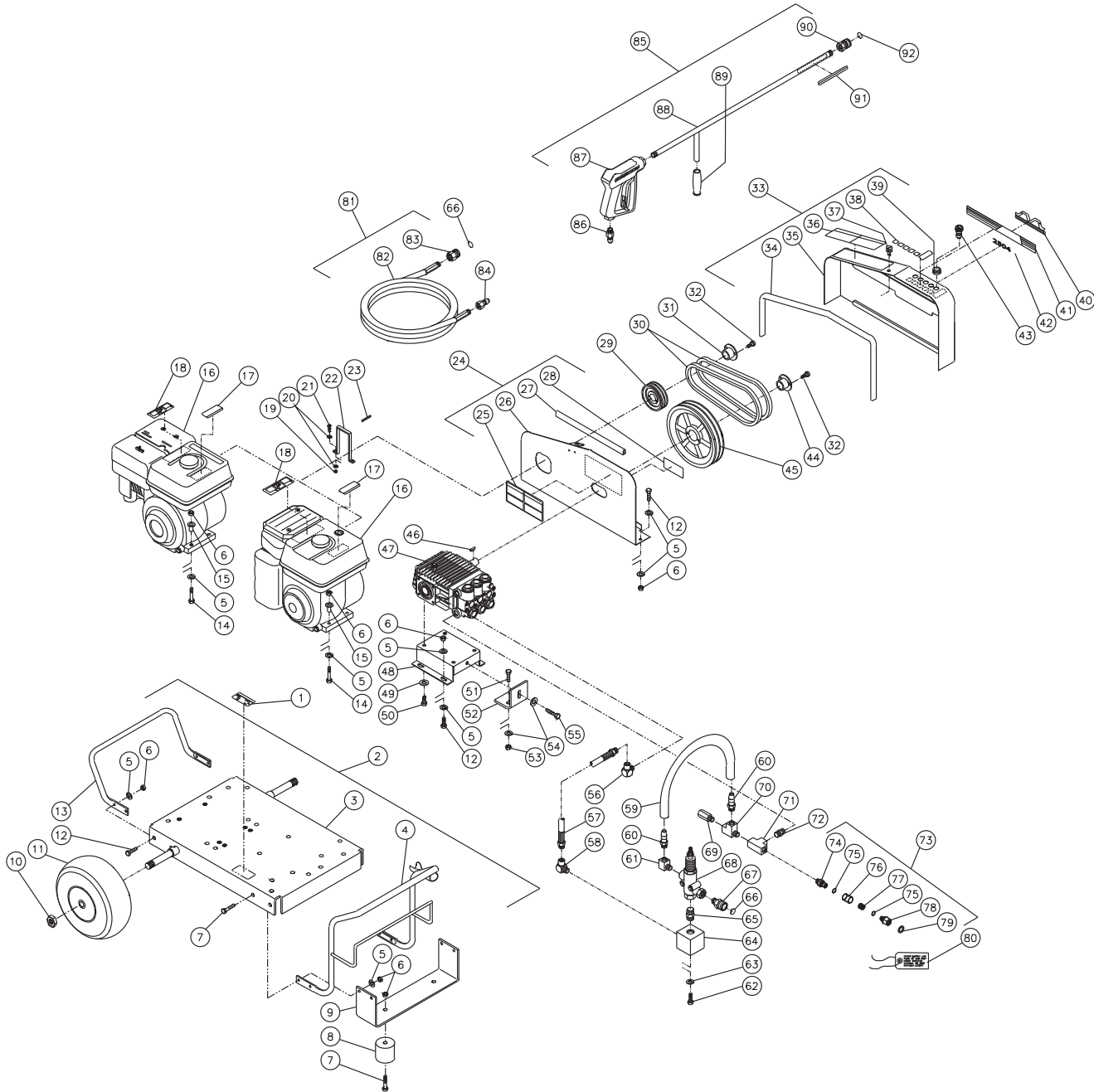
CONVERT 8-0032 UNLOADER TO K-7.0 (8-0012) UNLOADER (OPTION #CX-0042)12

K-7.0 UNLOADER ASSEMBLY (8-0012)14

SPECIFICATIONS

MODEL NUMBER	CW-2504-4MH0	CW-2504-4MV0
Operating Pressure (PSI/Bar):	2500/172.4	
High Pressure Nozzle:	4.5	
Water Volume (GPM/lpm):	3.6/13.6	
Engine:	Honda	Briggs & Stratton Vanguard
Horsepower	9.0	
Engine Type	4 Stroke, Overhead Valve, Single Cylinder	
Oil Type	SAE10W-30	Above 40°F = SAE30/Below 40°F = SAE10W-30
Oil Capacity (oz./liter)	37.2/1.1	40.2/1.2
Low Oil Protection	Oil Alert™	Oil Guard™
Fuel Type	Unleaded Gasoline 86 Octane Minimum	
Fuel Capacity (gal./liter)	1.6/6.0	2.0/7.8
Starting	Recoil	
Maximum No Load RPM	3600 (+/- 100) RPM	
Pump:	Direct Driven, Oil Bath, Triplex Piston	
Oil Type	Mi-T-M Pump Oil #AW-4085-0016	
Oil Capacity (oz./liters)	14.0/41	
Plungers	Ceramic Coated	
Manifold	Forged Brass	
Valves	Stainless Steel	
Unloader	Preset	
Heat Dump Valve	Relieves heated water during unloader bypass stage	
Unit Net Weight (lbs/Kg)	172.5/78	117.5/80.5
Unit Shipping Weight (lbs/Kg)	252.5/114.5	257.5/115.5
Unit Net Dimension (cm)	41Lx26.5Wx26.5H/104Lx67Wx67H	
Unit Shipping Dimension (cm)	48.5Lx30.5Wx35.5H/123Lx77.5Wx90H	

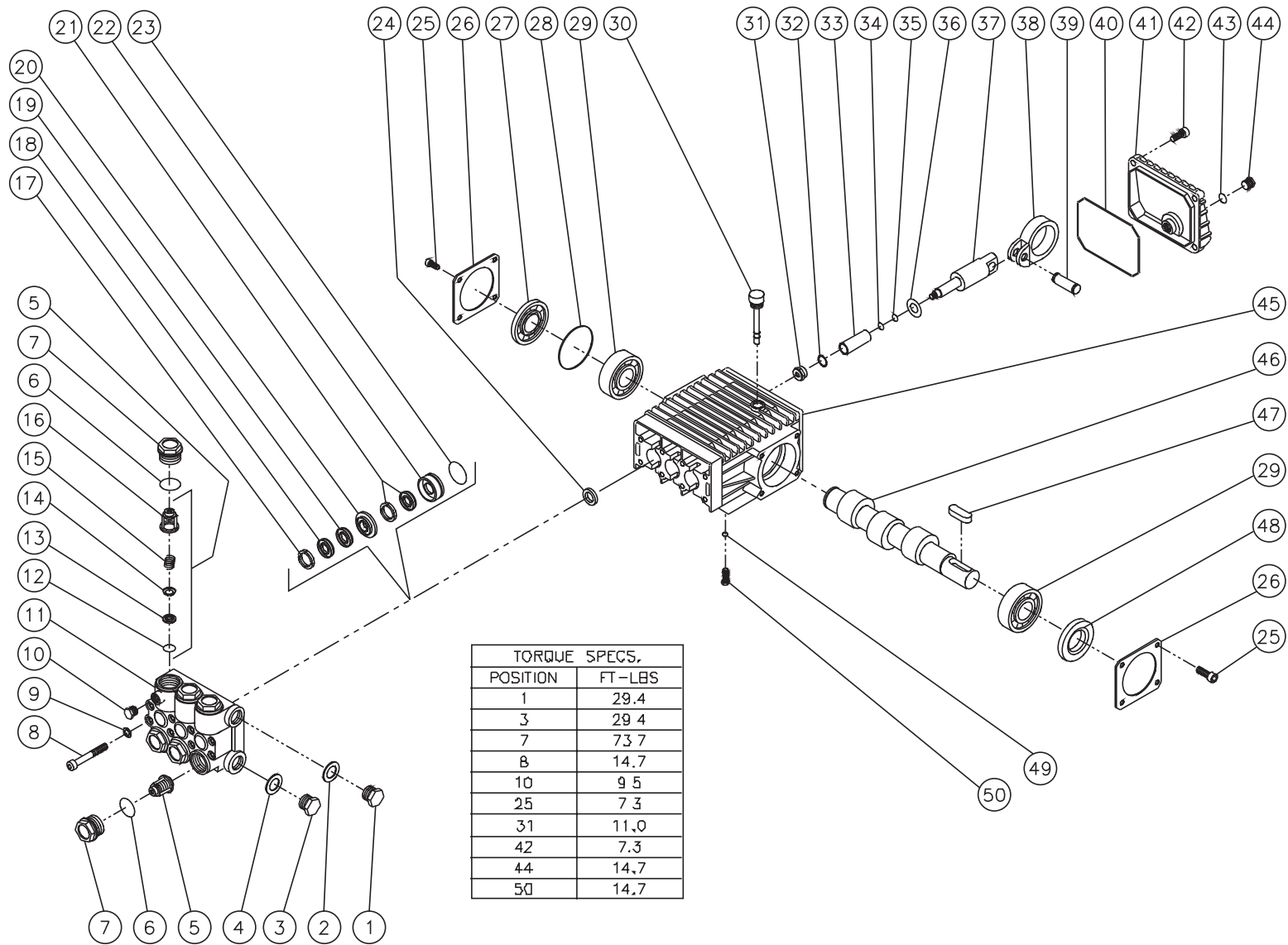
FRAME ASSEMBLY FOR CW-2504-4MH0/4MV0



CW-2504-4MH0/4MV0-090401-RD

FRAME ASSEMBLY FOR CW-2504-4MH0/4MV0											
REF. #	DESCRIPTION	PART #	QTY.	REF. #	DESCRIPTION	PART #	QTY.	REF. #	DESCRIPTION	PART #	QTY.
1	Decal- Data Plate	N/A	1	32	Bolt (w/ Bushing)	27-0015	4	62	Bolt	27-0116	2
2	Base Plate Assembly (Inc. 3-13)	851-0209	1	33	Beltguard Cover Assembly (Inc. 34-39)	851-0313	1	63	Washer	29-0008	2
3	Base Plate	5-0090A01	1	34	Edging *(Three Feet Required)	33-0020	1	64	Manifold Block	51-0012	1
4	Front Handle	7-0101A01	1	35	Beltguard Cover (See 851-0313)	N/A Sep.	1	65	Hex Nipple	24-0031	1
5	Washer	28-0003	28	36	Decal- Operating Instructions (E/S)	34-0813	1	66	O-ring (Replacement Only)	25-0123	-
6	Locknut	30-0157	22	37	Fastener	33-0197	1	67	Quick Connect Socket	17-0029	1
7	Bolt	27-0068	6	38	Decal- Nozzle Die Cut	34-0500	1	68	Unloader	8-0032	1
8	Isolator	14-0008	2	39	Grommet	33-0001	5	69	Heat Dump Valve	22-0005	1
9	Underbracket	13-0042A01	1	40	Decal- Mi-T-M Logo	62-0086	1	70	Street Tee	23-0124	1
10	Jamnut	30-0117	2	41	Decal- Mi-T-M Stripe	34-0502	1	71	Tee	23-0043	1
11	Wheel	14-0006	2	42	Decal- Die Cut 2504	34-0512	1	72	Hex Nipple	23-0012	1
12	Bolt	27-0067	12	43	Spray Nozzle- 0004.5	18-0033	1	73	Filter Assembly (Inc. 74-79)	19-0206	1
13	Rear Handle	7-0104A01	1	-	Spray Nozzle- 1504.5	18-0039	1	74	Filter Outlet-NPT (See 19-0206)	N/A Sep.	1
14	Bolt	27-0070	4	-	Spray Nozzle- 2504.5	18-0060	1	75	O-Ring	25-0517	2
15	Engine Shim	33-0169	4	-	Spray Nozzle- 4004.5	18-0065	1	76	Sight Glass	19-0208	1
16	Engine- 9.0 HP Honda (CW-2504-4MH0)	1-0065	1	44	Bushing	9-0017	1	77	Screen-Strainer	19-0209	1
-	Engine- 9.0 HP Vanguard (CW-2504-4MV0)	1-0070	1	45	Sheave	10-0035	1	78	Filter Inlet (See 19-0206)	N/A Sep.	1
17	Decal- Caution: Allow to Cool (E/S)	34-0599	1	46	Key w/Pump	43-0601	1	79	Garden Hose Gasket	26-0001	1
18	Decal- Warning: Muffler Hot (E/S)	34-0598	1	47	Pump	3-0121	1	80	Tag- Water Supply Inlet	34-0097	1
19	Locknut	30-0155	2	48	Pump Bracket	5-0097A01	1	81	Pressure Hose Assembly (Inc. 82-84)	851-0007	1
20	Washer	28-0002	4	49	Washer w/Pump	29-0054	4	82	Pressure Hose	15-0003	1
21	Bolt	27-0015	2	50	Bolt w/Pump	27-8042	4	83	Quick Connect Socket	17-0004	1
22	Fingerguard	6-0054A01	1	51	Bolt	27-0118	2	84	Quick Connect Plug	17-0006	1
23	Key	43-0078	1	52	Brace Tightener	13-0005A01	1	85	Gun/Wand Assembly (Inc. 86-90)	851-0095	1
24	Beltguard Back Assembly (Inc. 25-28)	851-0213	1	53	Locknut	30-0159	2	86	Quick Connect Plug	17-0005	1
25	Decal- Warning/ Caution (E/S)	34-0812	1	54	Washer	28-0023	3	87	Gun	16-0001	1
26	Beltguard Back (See 851-0213)	N/A Sep.	1	55	Bolt	27-0576	1	88	Wand w/ 36" Handle	16-0120A01	1
27	Edging *(Two Feet Required)	33-0020	1	56	Elbow	24-0105	1	89	Grip Handle	7-0002	1
28	Decal- Warning: Beltguard Cover (E/S)	34-0826	1	57	Hose	15-0024	1	90	Quick Connect Socket	17-0001	1
29	Sheave	10-0029	1	58	Elbow	24-0006	1	91	Decal- Warning: Risk of Injection (E/S)	34-1253	1
30	Belt (CW-2504-4MH0)	11-0023	2	59	By-Pass Hose	15-0035	1	92	O-ring (Replacement Only)	25-0122	-
-	Belt (CW-2504-4MV0)	11-0020	2	60	Hose Barb	23-0007	2	*Must Order in One Foot Lengths			
31	Bushing	9-0005	1	61	Elbow	27-0035	1				

PUMP ASSEMBLY (3-0121)



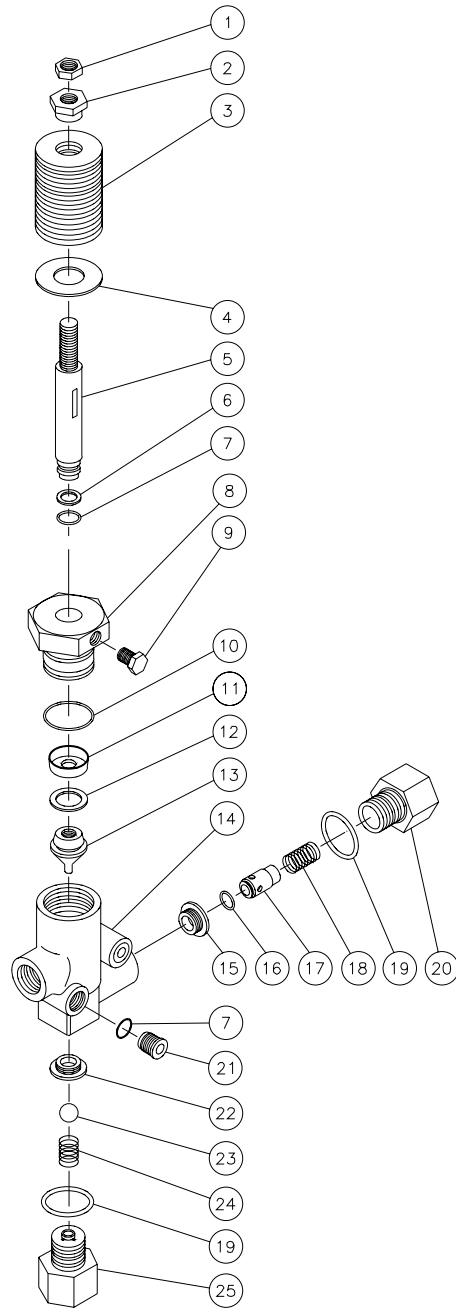
TORQUE SPECS.	
POSITION	FT-LBS
1	29.4
3	29.4
7	73.7
8	14.7
10	9.5
25	7.3
31	11.0
42	7.3
44	14.7
50	14.7

3-0121-042600-RD

PUMP ASSEMBLY (3-0121)

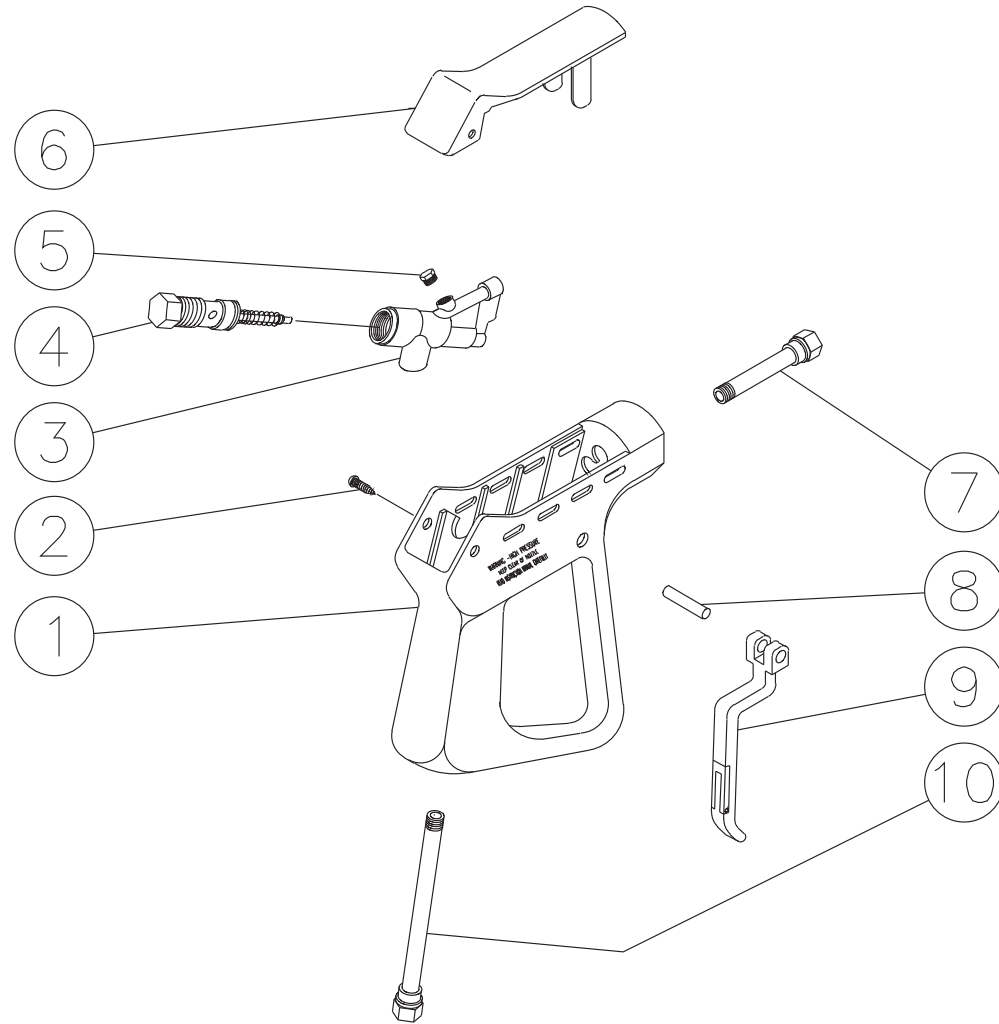
REF. #	DESCRIPTION	PART #	QTY.	REF. #	DESCRIPTION	PART #	QTY.	REF. #	DESCRIPTION	PART #	QTY.
1	Bolt	39-0018	1	21	Low Pressure Seal (See 852-0114)	N/A Sep.	3	41	Crankcase Cover	46-0571	1
2	Washer	28-0600	1	22	Low Pressure Seal Retainer	46-0612	3	42	Bolt	27-8401	5
3	Plug	39-0019	1	23	O-ring	25-0048	3	43	O-ring	25-0014	1
4	Washer	28-0601	1	24	Oil Seal	26-0046	3	44	Plug	39-0017	1
5	Valve Assembly (Inc. 12-16) (See 70-0028)	N/A Sep.	6	25	Bolt	27-8000	4	45	Crankcase	46-0570	1
6	O-ring	25-0012	6	26	Retainer/Oil Level/Spacer	46-0084	1	46	Crankshaft	46-0601	1
7	Valve Plug	39-0071	6	27	Oil Level Indicator	46-0574	1	47	Key	46-0602	1
8	Bolt	27-8439	8	28	O-ring	25-0060	1	48	Oil Seal	46-0604	1
9	Lockwasher	29-0154	8	29	Ball Bearing	48-0050	1	49	Lockwasher	29-0054	4
10	Plug	39-0032	1	30	Oil Dip Stick	46-0143	1	50	Bolt	27-8042	4
11	Pump Manifold	46-0614	1	31	Nut	46-0168	3		Valve Kit (Inc. 6 each 5, 12-16)	70-0028	
12	O-ring (See 70-0028)	N/A Sep.	6	32	Washer	46-0166	3		Head Ring Kit (Inc. 3 each 17)	70-0026	
13	Valve Seat (See 70-0028)	N/A Sep.	6	33	Plunger	46-0603	3		Packing Kit (Inc. 3 each 18, 19, 21)	70-0025	
14	Valve Plate (See 70-0028)	N/A Sep.	6	34	O-ring	25-0045	3		Packing Assembly Kit (Inc. 3 each 17-19, 21)	852-0114	
15	Valve Spring (See 70-0028)	N/A Sep.	6	35	Back-up Ring	25-0143	3		Intermediate Retainer Kit (Inc. 3 each 20)	70-0122	
16	Valve Cage (See 70-0028)	N/A Sep.	6	36	Washer	28-1018	3		Retainer Kit (Inc. 3 each 22, 23)	70-0123	
17	High Pressure Head Ring (See 852-0114)	N/A Sep.	3	37	Piston Guide	46-0573	3		Packing Kit (Inc. 17-23)	70-0027	
18	High Pressure V-packing (See 852-0114)	N/A Sep.	3	38	Connecting Rod	46-0572	3		Pump- Short Block Kit (Inc. 24-48)	3-0135	
19	V-packing Support (See 852-0114)	N/A Sep.	3	39	Connecting Rod Pin	43-0079	3				
20	High Pressure Seal Retainer	46-0608	3	40	O-ring	25-0317	1				

UNLOADER ASSEMBLY (8-0032)



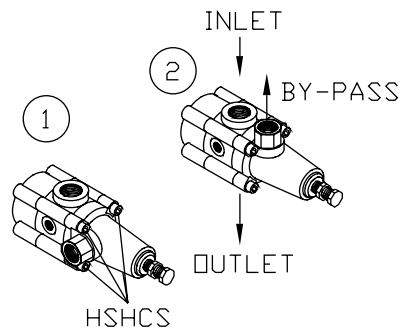
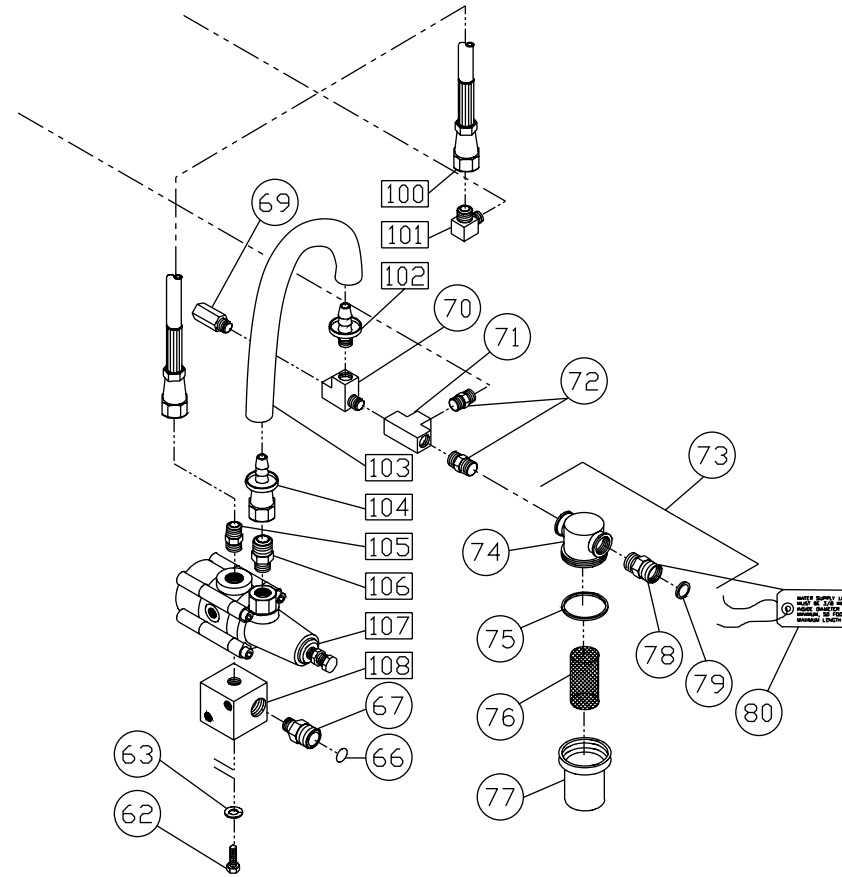
UNLOADER ASSEMBLY (8-0032)			
REF.#	DESCRIPTION	PART #	QTY.
1	Locknut	30-3058	1
2	Adjusting Nut	8-0089	1
3	Spring Washers - Orange	8-0009	15
4	Washer	28-0250	1
5	Valve Stem	8-0037	1
6	Backup Ring	8-0038	1
7	O-ring	25-0009	5
8	Valve Cap	8-0036	1
9	Set Screw	8-0084	1
10	O-ring	25-0008	1
11	Cup	8-0034	1
12	Back-up Ring	8-0040	1
13	Piston	8-0039	1
14	Valve Body	8-0164	1
15	Outlet Seat	8-0006	1
16	O-ring	25-0011	1
17	Outlet Valve	8-0004	1
18	Spring	49-0016	1
19	O-ring	25-0010	2
20	Outlet Retainer	8-0003	1
21	Brass Plug	8-0011	4
22	Valve Seat	8-0005	1
23	Ball	8-0041	1
24	Spring	49-0015	1
25	Inlet Retainer	8-0165	1
	Unloader Repair Kit (Inc. 6, 7, 10-12, 16 and 19)	70-0044	

GUN ASSEMBLY (16-0001)



GUN ASSEMBLY (16-0001)			
REF. #	DESCRIPTION	PART #	QTY.
1	Plastic Housing	16-0008	1
2	Screw	27-3230	2
3	Brass Housing	16-0012	1
4	Gun Repair Kit	70-0055	1
5	Brass Plug	39-0024	1
6	Plastic Cover	16-0009	1
7	Pipe Assembly	16-0013	1
8	Trigger Pin	16-0063	1
9	Trigger/Safety Lock-off	16-0010	1
10	Pipe Assembly- Inlet	16-0016	1
	Complete Gun Assembly	16-0001	1

CONVERT 8-0032 UNLOADER TO K-7.0 (8-0012) UNLOADER (OPTION #CX-0042)

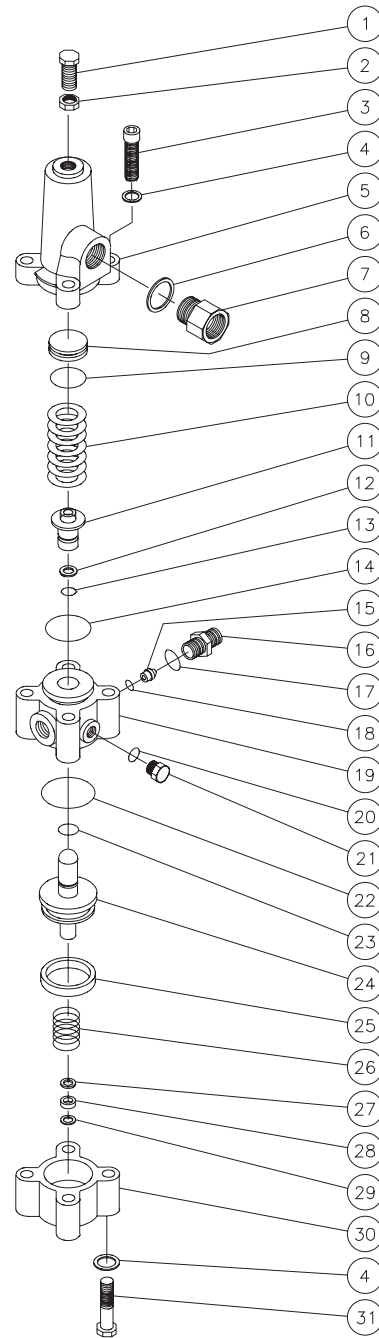


NOTE:

- 1) REMOVE THE HSHCS BOLTS
- 2) TURN IT SO THE BY-PASS IS ON THE SAME SIDE AS THE INLET
- 3) REASSEMBLE THE UNLOADER

CONVERT 8-0032 UNLOADER TO K-7.0 (8-0012) UNLOADER (OPTION #CX-0042)			
REF. #	DESCRIPTION	PART #	QTY.
100	Hose	15-0152	1
101	Elbow	23-0260	1
102	Hose Barb	23-0005	1
103	By-Pass Hose	15-0022	1
104	Swivel Barb Flare	23-0261	1
105	Nipple	23-0258	1
106	Nipple	23-0259	1
107	Unloader	8-0012	1
108	Manifold Block	51-0015	1
*Circled numbers denote items already existing on the unit. See the Frame Assembly on page 4-5 of this Parts List for extended reference number placement.			

K-7.0 UNLOADER ASSEMBLY (8-0012)



OMGEN066-040901-BAR

UNLOADER ASSEMBLY (8-0012)

REF. #	DESCRIPTION	PART #	QTY.	REF. #	DESCRIPTION	PART #	QTY.
1	Bolt	27-8077	1	18	O-ring	25-0119	1
2	Hex Nut	30-3010	1	19	Middle Body	8-0137	1
3	Bolt	27-8434	4	20	O-ring	25-0114	2
4	Lockwasher	29-0154	8	21	Hex Plug	39-0017	2
5	Upper Body	8-0138	1	22	O-ring	25-0056	1
6	Washer	8-0277	1	23	O-ring	25-0120	1
7	By-Pass Restrictor	8-0125	1	24	Piston Assembly	8-0136	1
8	Spring Guide	8-0135	1	25	Seal	26-0104	1
9	O-ring	25-0118	1	26	Spring	49-0027	1
10	Spring	49-0026	1	27	Washer	8-0139	1
11	Valve Seat	8-0145	1	28	Seal	26-0105	1
12	Back-up Ring	8-0141	1	29	Back-up Ring	8-0140	1
13	O-ring	25-0121	1	30	Lower Body	8-0134	1
14	O-ring	25-0117	1	31	Bolt	27-8037	4
15	Flow Balancer	8-0126	1		Unloader Repair Kit (Inc. 9, 11, 13, 14, 17, 18, 20, 22-26, 28, 29)	70-0013	
16	Nipple	8-0130	1		Unloader Orifice Kit (Inc. 7, 15, 16)	852-0014	
17	O-ring	25-0052	1				

